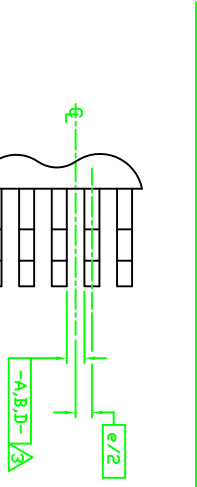
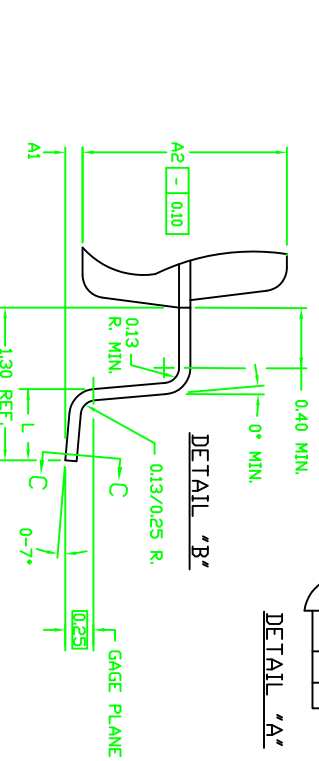
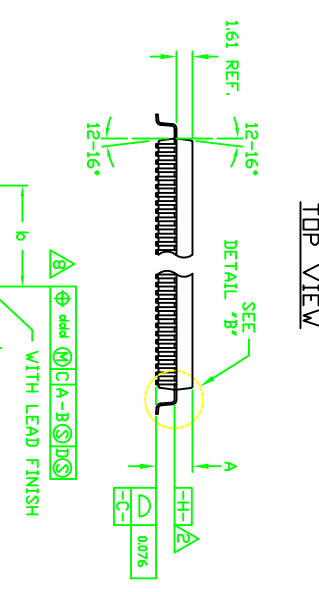
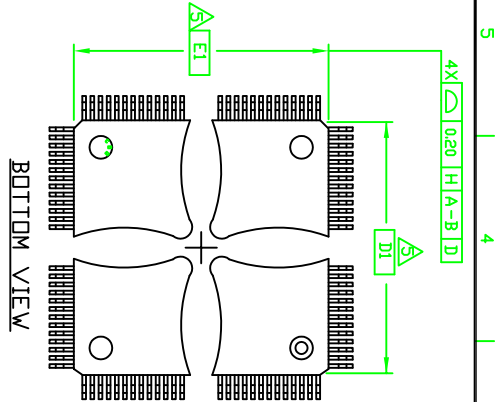
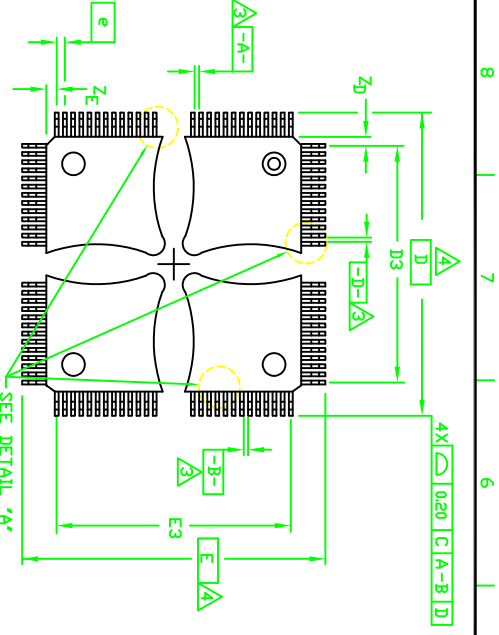


REV.	DESCRIPTION	DATE	APPROVED
00	INITIAL RELEASE PER DCN #A34245.	8/91	H.J.C.
01	INC. PER DCN #A34917.	93/20	Y.M.K.
02	INC. PER DCN #A35390.	8/48	Y.M.K.
03	INC. PER DCN #D20753.	07/93	Y.M.K.
04	REVISED PER DCN #D21419.	05/05	Y.M.K.
05	REVISED PER DCN #D21891. (KENG-AF-308 BECOMES 32536/05)	12/06	Y.M.K.
06	REVISED PER DCN #D22153.	02/05	Y.M.K.
07	REVISED PER DCN #D25463	07/20 1998	Y.M.K.



DECIMAL ANGULAR ±1 XXX± XXXX± XXXXX±		APPROVALS DESIGNER: T. KHAM CHECKED: K. MURRAY DRAWN: K. MURRAY RELEASED: Y.M. KANG		PRODUCTION DATE: 09/29 DATE: 1994 DATE: 09/29 DATE: 1994 DATE: 12/06	
HORIZONTAL FINISH		TITLE PACKAGE OUTLINE, MOFP, 28 MM X 28 MM BDDY, 1.30/0.33 MM FORM, 3.37 MM THICK		Anam Industrial Co., Ltd. 517-225, Hwanggyang-2dong, Seoul, Korea Excellence in semiconductor assembly	
DO NOT SCALE DRAWING		SCALE 3/1		SHEET 1 of 2	

ANAM Anam Electronics, Inc. 517-225, Hwanggyang-2dong, Seoul, Korea Excellence in semiconductor assembly		DATE: 07 REV. 07	
--	--	---------------------	--